

Klacci®

Architectural Locks & Hardware

T6 Series Tubular Deadbolts

ANSI Grade 1 Extra Heavy Duty



FEATURES

- > Reinforced turn knob assembly and 1/4" (6.30mm) through-bolts added strength.
- > 1" (25mm) Throw high strength, stainless steel deadbolt resists sawing and kick-in attacks.
- > Trim ring with protective sleeve protects the lock from attack through the door.
- > Exclusive design trim ring protects the lock from vertical attacks.
- > Free spinning solid brass cylinder collar resists wrenching or prying of the cylinder unit.
- > High-strength steel cylinder housing for added protection and durability. No exposed mounting screws on double cylinder function.
- > Cylinder housing accepts most manufacturers' cylinder.
- > Heavy duty steel support plate with 3" (76mm) wood screws strengthens the wood jamb against "kick-in" attacks and greatly enhances the security effectiveness of the lock.

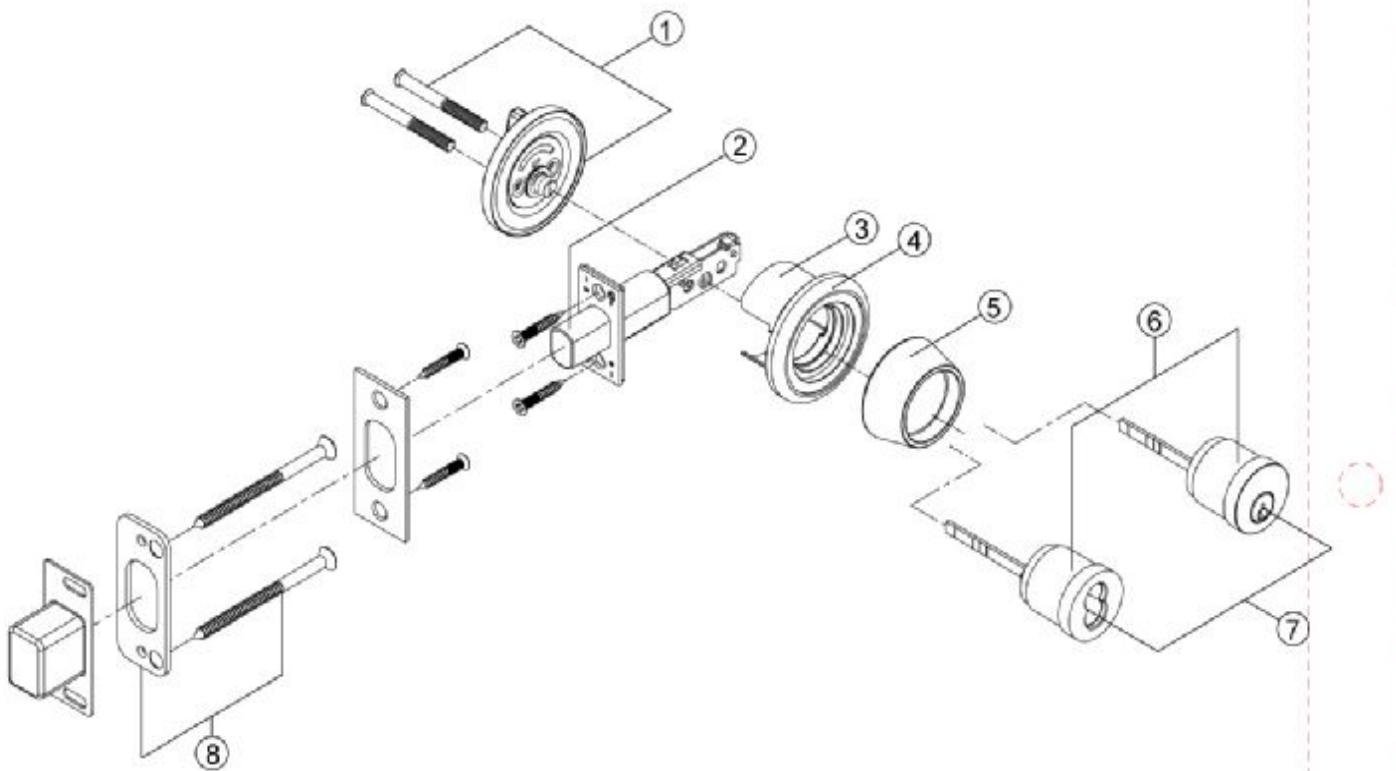
T 886 6 3840722

F 886 6 3840715

18 Gungye 3rd Road, Annan, Tainan 709, Taiwan.
sd@klacci.com

life unlocked
www.klacci.com

Klacci is a registered brand of I-Tek Metal Manufacturing, Co., Ltd. Taiwan.



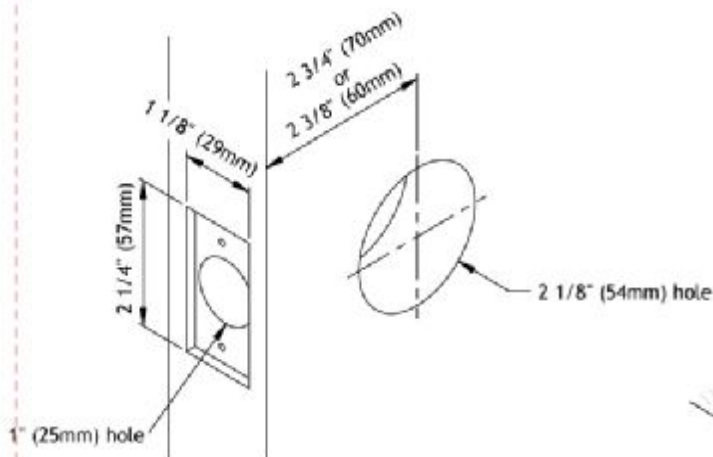
FEATURES

- ① .Reinforced turn knob assembly and 1/4" (6.30mm) through-bolts for added strength.
- ② .1" (25mm) Throw high strength, stainless steel deadbolt resists sawing and kick-in attacks.
- ③ .Trim ring with protective sleeve protects the lock from attack through the door.
- ④ .Exclusive design trim ring protects the lock from vertical attacks.
- ⑤ .Free spinning solid brass cylinder collar resists wrenching or prying of the cylinder unit.
- ⑥ .High-strength steel cylinder housing for added protection and durability. No exposed mounting screws on double cylinder function.
- ⑦ .Cylinder housing accepts most manufacturers' cylinder.
- ⑧ .Heavy duty steel support plate with 3" (76mm) wood screws strengthens the wood jamb against "kick-in" attacks and greatly enhances the security effectiveness of the lock.

SPECIFICATIONS

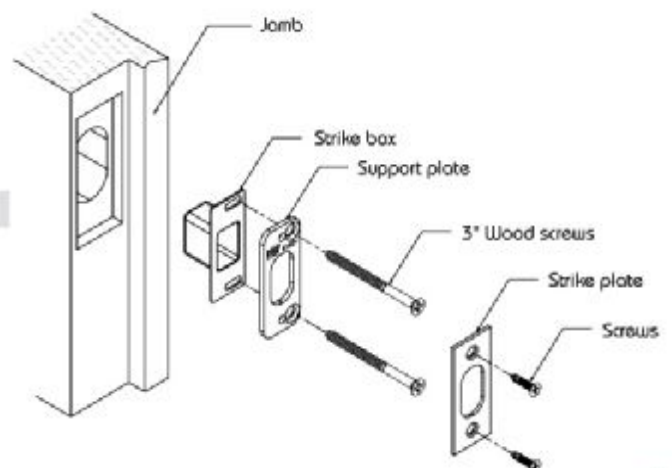
Certifications	UL listed for "A" label (3 hour) single swinging door (4' x 8'). ANSI/BHMA A156.5, Grade 1.
Exposed Trim	Solid brass. Cylinder ring and thumbturn are pressure die-cast, plated to match finished indicated.
Backset	2 3/4" (70mm) Standard, 2 3/8" (60mm) optional.
Through bolt	Supplied with two 1/4" (6.30mm) steel through bolts.
Deadbolt	1" (25mm) Throw, made from high strength stainless steel.
Faceplate	1 1/8" x 2 1/4" (29mm x 57mm) Standard; 1" x 1 1/4" (25mm x 32mm) optional. Self adjustable for beveled door.
Strike	Square corner, 1 1/8" x 2 3/4" (29mm x 70mm), no lip, furnished with dust box and door frame support plate.
Door range	1 3/8" to 2" (35mm to 51mm) standard, available to 2 1/2" (64mm) upon specified.
Cylinder	Solid brass, "C" keyway, 6-pins. Supplied with two nickel silver keys.
Interchangeable core	Accepts 6 or 7 pin Best [®] or Falcon [®] type interchangeable core.
Finishes	605, 606, 612, 613, 625 and 626.

DOOR PREPARATION










DOOR FRAME SUPPORT PLATE

Each T6 Series is standard supplied with a heavy duty steel support plate and two 3" wood screws to strengthen the wood jamb against "kick-in" attacks and enhance the security effectiveness of the lock.



FUNCTIONS

Function Code Number	Illustration	Operations	ANSI Number
Single Cylinder [10]		Dead bolt operated by key from outside and by turn from inside.	E2151
Double Cylinder [12]		Dead bolt operated by key from either side.	E2141
Classroom [03]		Dead bolt operated by key from outside. Turn retracts dead bolt but does not project it.	E2171
Thumbturn [40]		Dead bolt operated by turn from inside. No trim on other side.	E2191
Cylinder Only [50]		Dead bolt operated by key from one side. No trim on other one side.	E2101
One-Way Deadbolt [51]		Dead bolt operated by key from one side. Mounting plate on other side.	E2161
Closet [60]		Dead bolt operated by turn from inside. Blank plate on other side.	E2111

HOW TO ORDER EXAMPLE: T610-626-3

T6	10	626	3
Series	Function Code	Finishes	Backset
T6 Series (STD)	See above	605, 606	2 : 2 3/8" (60mm)
IT6 Series (I/C)		612, 613	3 : 2 3/4" (70mm)
		625, 626	

T6 10 - 626 - 3

Backset
Finishes
Function Code
Series